

INFINITO

LIGHTING SYSTEM

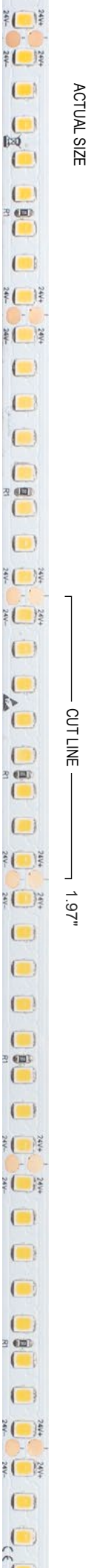
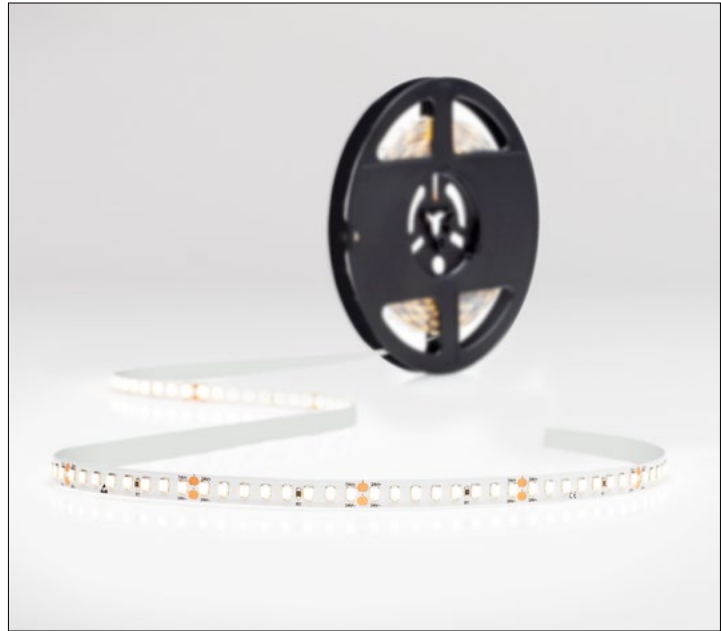
IF-841

- 90 CRI/2 step McAdam ellipse
- Aircraft-grade aluminum extrusion
- Premium optics to reduce diode image
- Field cuttable
- Constant voltage design for consistent brightness

Project _____

Date _____

Type _____



SPECIFICATIONS

- SIZE**
1.97" x .32"
- CUTTING UNIT**
8LEDs/1.97"
- INPUT VOLTAGE**
24VDC
- INPUT CURRENT**
.054A/FT
- TYP.POWER**
3.96W/FT
- MAX.POWER**
4.39W/FT
- BEND DIAMETER**
2.36"
- COPPER FOIL**
3oz

ORDERING INFORMATION

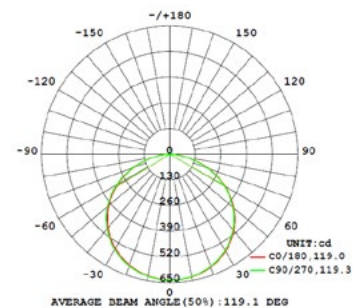
SERIES	MODEL	COLOR TEMP	PROFILE	FINISH	LENGTH	MOUNTING CLIP	DRIVER
IF INFINITO	841	27K 30K 35K	CS1 CS2 CR1 CR2 CR3 CR4 CC1 CSA	CA Clear Aluminum WH** White BK ** Black ** Consult Factory	48 48" Length 96 96" Length XXX Factory cut to specified length (96" max.)	S1 Surface Mount Clip S90 90° Surface Mount Clip C1 Corner Mount Clip	ND non dimming ZD 0-10v dimming TD Triac dimming

See Page 2/2 for Applicable Options

Example: IF-841-30K-CS2-CA-48-S1-ND

PERFORMANCE

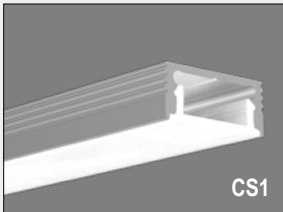
CRI	CCT	LP/F	LP/W
90	2700K	459	116
	3000K	483	121
	3500K	491	124



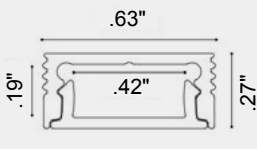
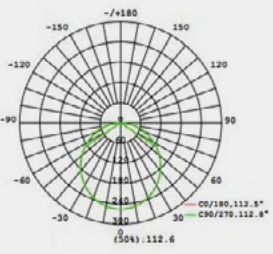
BASED ON BARE STRIP

INFINITO LIGHTING SYSTEM – IF-841

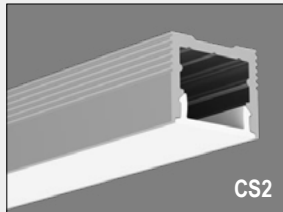
PROFILE LIST



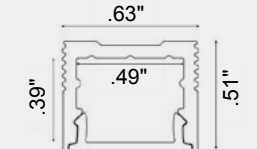
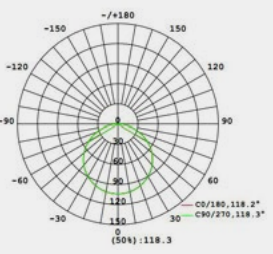
CS1

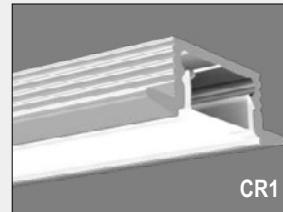
MTG. CLIPS: S1, S2, S90



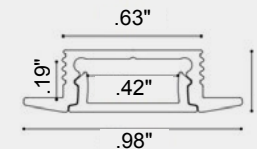
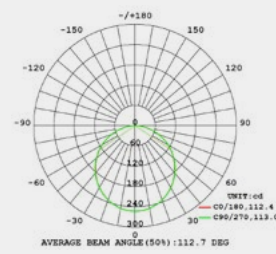
CS2

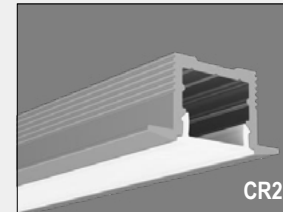
MTG CLIPS: S1, S2, S90



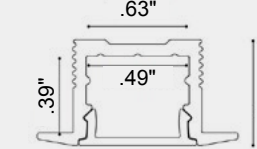
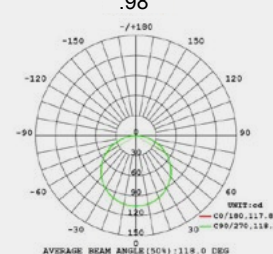
CR1

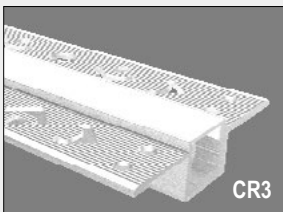
MTG CLIPS: None



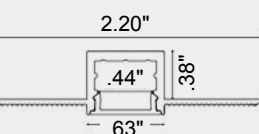
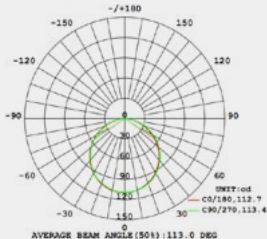
CR2


MTG CLIPS: R1



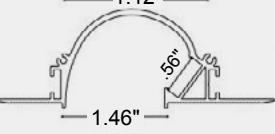
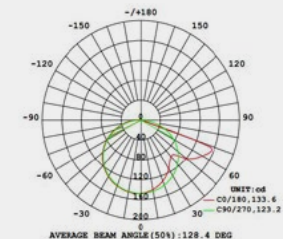
CR3

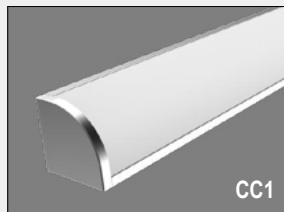
MTG CLIPS: None



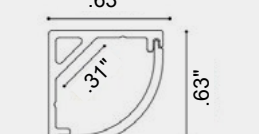
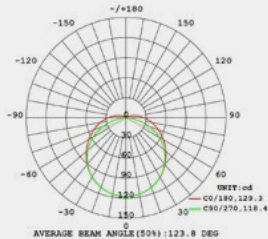
CR4

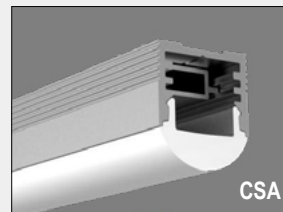
MTG CLIPS: None



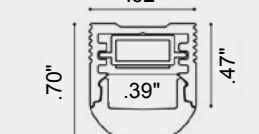
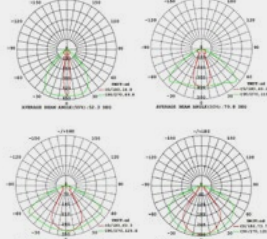
CC1

MTG CLIPS: C1



CSA

MTG CLIPS: S1, S2, S90

MOUNTING CLIPS



INFINITO LIGHTING SYSTEM – IF-841

DRIVER



ND - Non Dimming

FEATURES:

- Universal AC input/Full range
- High efficiency up to 93.5%
- Protections: Short circuit / Over current / Over voltage / Over temperature
- Class 2 power unit
- Suitable for LED lighting
- 7 years warranty

DRIVER SPECIFICATION

OUTPUT	DC VOLTAGE	24V
	RATED CURRENT	4A
	RATED POWER	96W
INPUT	VOLTAGE RANGE	90 ~ 264VAC
	FREQUENCY RANGE	47 ~ 63Hz
	AC CURRENT (TYP.)	1.2A / 115VAC / 230VAC
PROTECTION	OVER CURRENT	95 ~ 106%
	SHORT CIRCUIT	Constant current limiting, recovers automatically after fault condition is removed.
	OVER VOLTAGE	28 ~ 34V



TD - Triac Dimming

FEATURES:

- Output constant voltage
- ETL, Class 2, Class P, Type HL
- Universal AC input: 100-277VAC
- Power Factor: up to 0.98
- High efficiency: up to 82%
- Dimming range: 0-100%
- Load: 10-100%
- Protection: short circuit/over loading/over temperature
- PWM output, does not change the color index
- Full protection aluminum housing, for dry, damp, wet location
- Flicker-free
- Compatible with Forward phase, Reverse phase, Triac, MLV, ELV Dimmers
- Cooling by free air convection
- Suitable for LED lighting and moving sign applications

DRIVER SPECIFICATION

OUTPUT	DC VOLTAGE	24V
	RATED CURRENT	3.33A
	RATED POWER	80W
INPUT	VOLTAGE RANGE	100-277VAC
	FREQUENCY RANGE	47 ~ 63Hz
PROTECTION	OVER LOADING	≤120% constant current limiting, auto-recovery
	SHORT CIRCUIT	Shut down o/p voltage, re-power on to recover after fault condition is removed
	OVER TEMP.	100°C ± 10°C shut down o/p voltage, automatically recover after cooling



ZD - 0-10v Dimming

FEATURES:

- Constant Voltage + Constant Current mode output
- Metal housing with class I design
- Class 2 power unit
- Typical lifetime > 62000 hours
- 7 years warranty
- Dimming function (1 ~ 10VDC)

DRIVER SPECIFICATION

OUTPUT	DC VOLTAGE	24V
	RATED CURRENT	2.5A
	RATED POWER	60W
INPUT	VOLTAGE RANGE	90 ~ 305VAC
	FREQUENCY RANGE	47 ~ 63Hz
	AC CURRENT (TYP.)	0.64A/115VAC 0.3A/277VAC
PROTECTION	OVER CURRENT	95 ~ 108%
	SHORT CIRCUIT	Hiccup mode, recovers automatically after fault condition is removed.
	OVER VOLTAGE	28 ~ 35V
	OVER TEMP.	Shut down o/p voltage, re-powered to recover