

INFINITO

LIGHTING SYSTEM

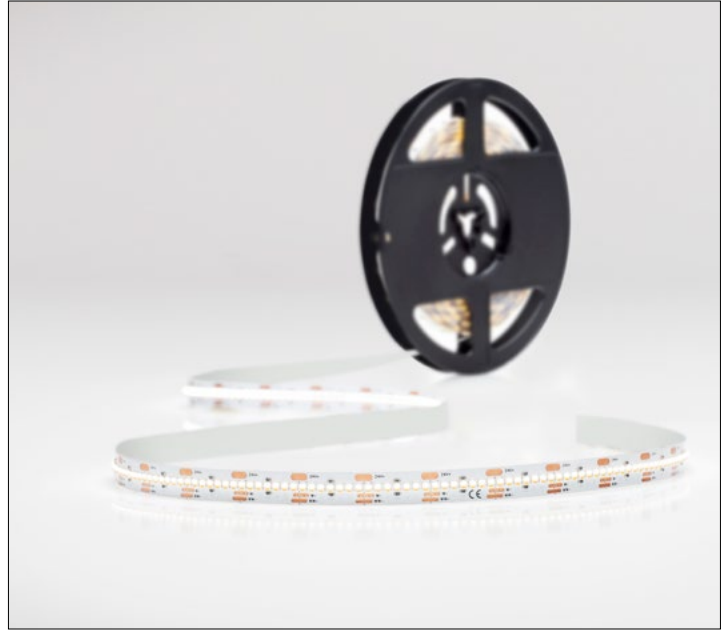
IF-10TW

- 90 CRI/2 step McAdam ellipse
- Aircraft-grade aluminum extrusion
- Premium optics to reduce diode image
- Field cuttable
- Constant current design for consistent brightness

Project _____

Date _____

Type _____



ACTUAL SIZE

CUT LINE 3.938"

SPECIFICATIONS

SIZE
0.39" x 0.07"

CUTTING UNIT
7LEDs/3.938"

INPUT VOLTAGE
24VDC

INPUT CURRENT
.24A/FT

TYP.POWER
5.5W/FT

MAX.POWER
5.85W/FT

BEND DIAMETER
2.36"

COPPER FOIL
2oz

ORDERING INFORMATION

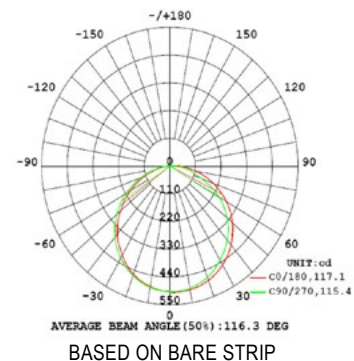
SERIES	MODEL	COLOR TEMP	PROFILE	FINISH	LENGTH	MOUNTING CLIP	DRIVER
IF INFINITO	10	TW Tunable White from 27K → 60K	CS2 CR2 CC1	CA Clear Aluminum WH** White BK ** Black ** Consult Factory	48 48" Length 96 96" Length XXX Factory cut to specified length (96" max.)	S1 Surface Mount Clip S90 90° Surface Mount Clip C1 Corner Mount Clip	ND non dimming ZD 0-10v dimming TD Triac dimming

See Page 2/2
for Applicable
Options

Example: IF-10TW-CS2-CA-48-S1-ND

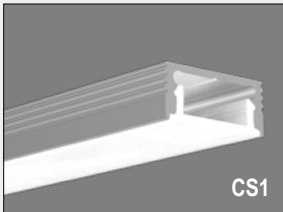
PERFORMANCE

CRI	CCT	LM/F	LM/W
FS	2700K	438	79
	3000K	490	88
	4000K	510	92
	5000K	510	92
	6000K	490	88

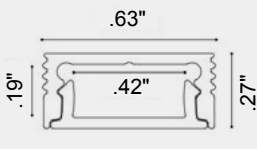
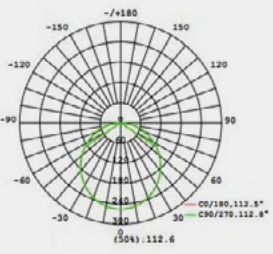


INFINITO LIGHTING SYSTEM – IF-10TW

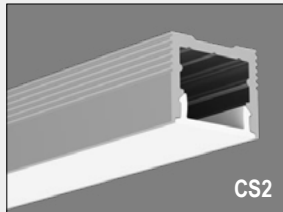
PROFILE LIST



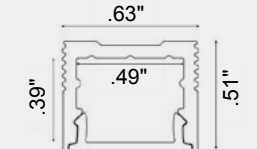
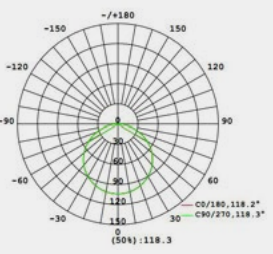
CS1

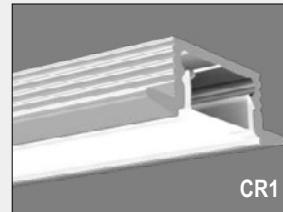
MTG. CLIPS: S1, S2, S90



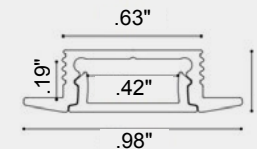
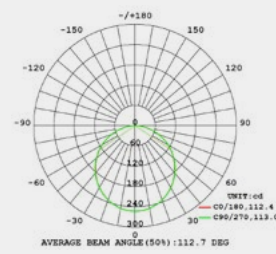
CS2

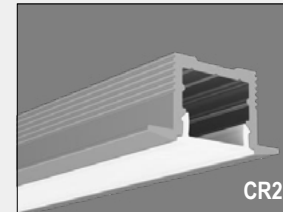
MTG CLIPS: S1, S2, S90



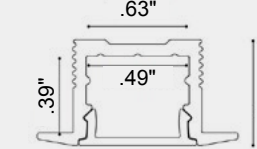
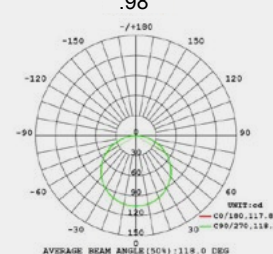
CR1

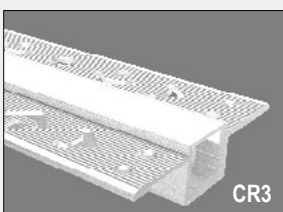
MTG CLIPS: None



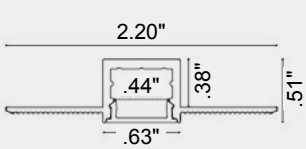
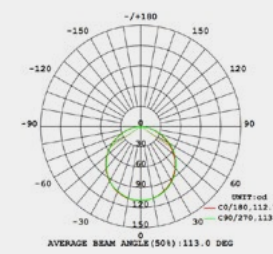
CR2

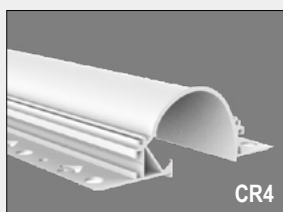
MTG CLIPS: R1



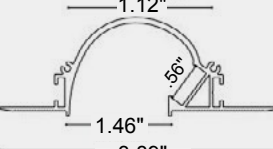
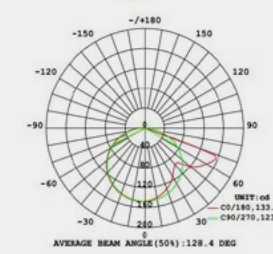
CR3

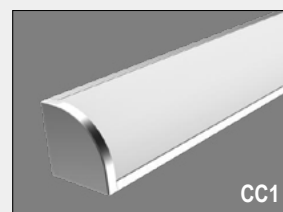
MTG CLIPS: None



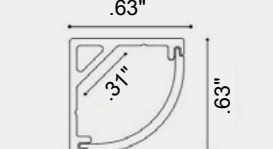
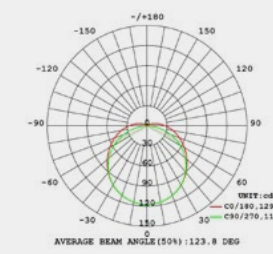
CR4

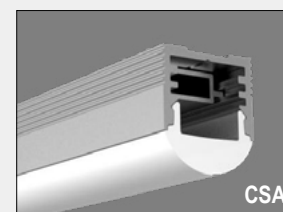
MTG CLIPS: None



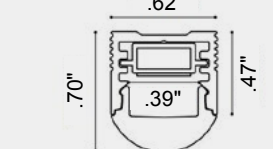
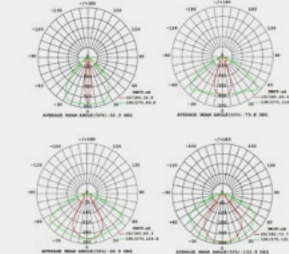
CC1

MTG CLIPS: C1



CSA

MTG CLIPS: S1, S2, S90

MOUNTING CLIPS



INFINITO LIGHTING SYSTEM – IF-10TW

DRIVER



ND - Non Dimming

FEATURES:

- Universal AC input/Full range
- High efficiency up to 93.5%
- Protections: Short circuit / Over current / Over voltage / Over temperature
- Class 2 power unit
- Suitable for LED lighting
- 7 years warranty

DRIVER SPECIFICATION

OUTPUT	DC VOLTAGE	24V
	RATED CURRENT	4A
	RATED POWER	96W
INPUT	VOLTAGE RANGE	90 ~ 264VAC
	FREQUENCY RANGE	47 ~ 63Hz
	AC CURRENT (TYP.)	1.2A / 115VAC / 230VAC
PROTECTION	OVER CURRENT	95 ~ 106%
	SHORT CIRCUIT	Constant current limiting, recovers automatically after fault condition is removed.
	OVER VOLTAGE	28 ~ 34V



TD - Triac Dimming

FEATURES:

- Output constant voltage
- ETL, Class 2, Class P, Type HL
- Universal AC input: 100-277VAC
- Power Factor: up to 0.98
- High efficiency: up to 82%
- Dimming range: 0-100%
- Load: 10-100%
- Protection: short circuit/over loading/over temperature
- PWM output, does not change the color index
- Full protection aluminum housing, for dry, damp, wet location
- Flicker-free
- Compatible with Forward phase, Reverse phase, Triac, MLV, ELV Dimmers
- Cooling by free air convection
- Suitable for LED lighting and moving sign applications

DRIVER SPECIFICATION

OUTPUT	DC VOLTAGE	24V
	RATED CURRENT	3.33A
	RATED POWER	80W
INPUT	VOLTAGE RANGE	100-277VAC
	FREQUENCY RANGE	47 ~ 63Hz
PROTECTION	OVER LOADING	≤120% constant current limiting, auto-recovery
	SHORT CIRCUIT	Shut down o/p voltage, re-power on to recover after fault condition is removed
	OVER TEMP.	100°C ± 10°C shut down o/p voltage, automatically recover after cooling



ZD - 0-10v Dimming

FEATURES:

- Constant Voltage + Constant Current mode output
- Metal housing with class I design
- Class 2 power unit
- Typical lifetime > 62000 hours
- 7 years warranty
- Dimming function (1 ~ 10VDC)

DRIVER SPECIFICATION

OUTPUT	DC VOLTAGE	24V
	RATED CURRENT	2.5A
	RATED POWER	60W
INPUT	VOLTAGE RANGE	90 ~ 305VAC
	FREQUENCY RANGE	47 ~ 63Hz
	AC CURRENT (TYP.)	0.64A/115VAC 0.3A/277VAC
PROTECTION	OVER CURRENT	95 ~ 108%
	SHORT CIRCUIT	Hiccup mode, recovers automatically after fault condition is removed.
	OVER VOLTAGE	28 ~ 35V
	OVER TEMP.	Shut down o/p voltage, re-powered to recover