

# INFINITO

## LIGHTING SYSTEM

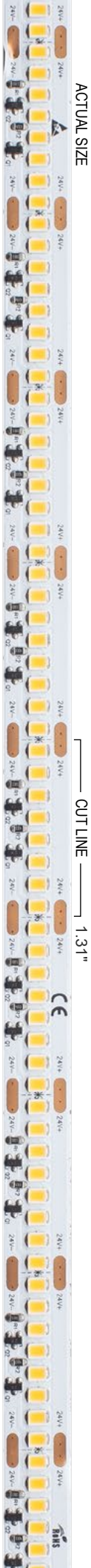
### IF-1064

- 90 CRI/2 step McAdam ellipse
- Aircraft-grade aluminum extrusion
- Premium optics to reduce diode image
- Field cuttable
- Constant voltage design for consistent brightness

Project \_\_\_\_\_

Date \_\_\_\_\_

Type \_\_\_\_\_



## SPECIFICATIONS

**SIZE**  
.39" W x .06" H

**CUTTING UNIT**  
8LEDs/1.31"

**INPUT VOLTAGE**  
24VDC

**INPUT CURRENT**  
.25A/FT

**TYP.POWER**  
6.1W/FT

**MAX.POWER**  
6.7W/FT

**BEND DIAMETER**  
2.36"

**COPPER FOIL**  
3oz

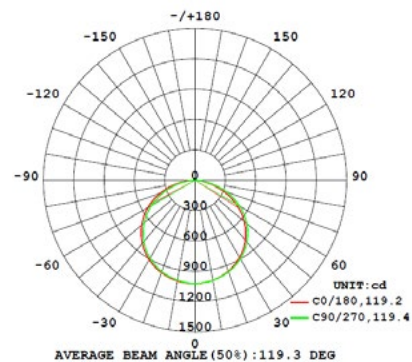
## ORDERING INFORMATION

SERIES	MODEL	COLOR TEMP	PROFILE	FINISH	LENGTH	MOUNTING CLIP	DRIVER
IF INFINITO	1064	27K 30K  40K* 60K*  * Consult Factory	CS2 CR2	CA Clear Aluminum  WH** White BK ** Black  ** Consult Factory	48 48" Length 96 96" Length  Factory cut to specified length (96" max.)	S1 Surface Mount Clip S90 90° Surface Mount Clip  See Page 2/2 for Applicable Options	ND non dimming ZD 0-10v dimming TD Triac dimming

Example: IF-1064-27K-CS2-CA-48-S1-ND

## PERFORMANCE

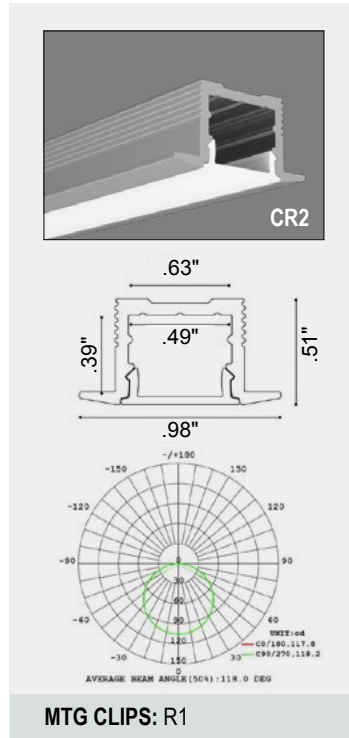
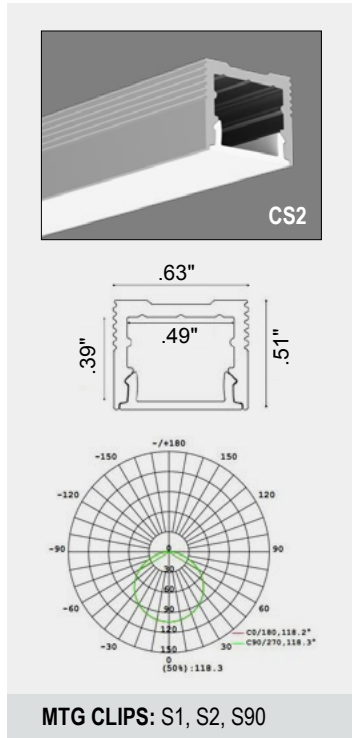
CRI	CCT	LP/F	LP/W
90	2700K	689	113
	3000K	725	119
	4000K	738	121
	6000K	756	124



BASED ON BARE STRIP

# INFINITO LIGHTING SYSTEM – IF-1064

## PROFILE LIST



## MOUNTING CLIPS



# INFINITO LIGHTING SYSTEM – IF-1064

## DRIVER



ND - Non Dimming

### FEATURES:

- Universal AC input/Full range
- High efficiency up to 93.5%
- Protections: Short circuit / Over current / Over voltage / Over temperature
- Class 2 power unit
- Suitable for LED lighting
- 7 years warranty

### DRIVER SPECIFICATION

OUTPUT	DC VOLTAGE	24V
	RATED CURRENT	4A
	RATED POWER	96W
INPUT	VOLTAGE RANGE	90 ~ 264VAC
	FREQUENCY RANGE	47 ~ 63Hz
	AC CURRENT (TYP.)	1.2A / 115VAC / 230VAC
PROTECTION	OVER CURRENT	95 ~ 106%
	SHORT CIRCUIT	Constant current limiting, recovers automatically after fault condition is removed.
	OVER VOLTAGE	28 ~ 34V



TD - Triac Dimming

### FEATURES:

- Output constant voltage
- ETL, Class 2, Class P, Type HL
- Universal AC input: 100-277VAC
- Power Factor: up to 0.98
- High efficiency: up to 82%
- Dimming range: 0-100%
- Load: 10-100%
- Protection: short circuit/over loading/over temperature
- PWM output, does not change the color index
- Full protection aluminum housing, for dry, damp, wet location
- Flicker-free
- Compatible with Forward phase, Reverse phase, Triac, MLV, ELV Dimmers
- Cooling by free air convection
- Suitable for LED lighting and moving sign applications

### DRIVER SPECIFICATION

OUTPUT	DC VOLTAGE	24V
	RATED CURRENT	3.33A
	RATED POWER	80W
INPUT	VOLTAGE RANGE	100-277VAC
	FREQUENCY RANGE	47 ~ 63Hz
PROTECTION	OVER LOADING	≤120% constant current limiting, auto-recovery
	SHORT CIRCUIT	Shut down o/p voltage, re-power on to recover after fault condition is removed
	OVER TEMP.	100°C ± 10°C shut down o/p voltage, automatically recover after cooling



ZD - 0-10v Dimming

### FEATURES:

- Constant Voltage + Constant Current mode output
- Metal housing with class I design
- Class 2 power unit
- Typical lifetime > 62000 hours
- 7 years warranty
- Dimming function (1 ~ 10VDC)

### DRIVER SPECIFICATION

OUTPUT	DC VOLTAGE	24V
	RATED CURRENT	2.5A
	RATED POWER	60W
INPUT	VOLTAGE RANGE	90 ~ 305VAC
	FREQUENCY RANGE	47 ~ 63Hz
	AC CURRENT (TYP.)	0.64A/115VAC   0.3A/277VAC
PROTECTION	OVER CURRENT	95 ~ 108%
	SHORT CIRCUIT	Hiccup mode, recovers automatically after fault condition is removed.
	OVER VOLTAGE	28 ~ 35V
	OVER TEMP.	Shut down o/p voltage, re-powered to recover