

# INFINITO

## LIGHTING SYSTEM

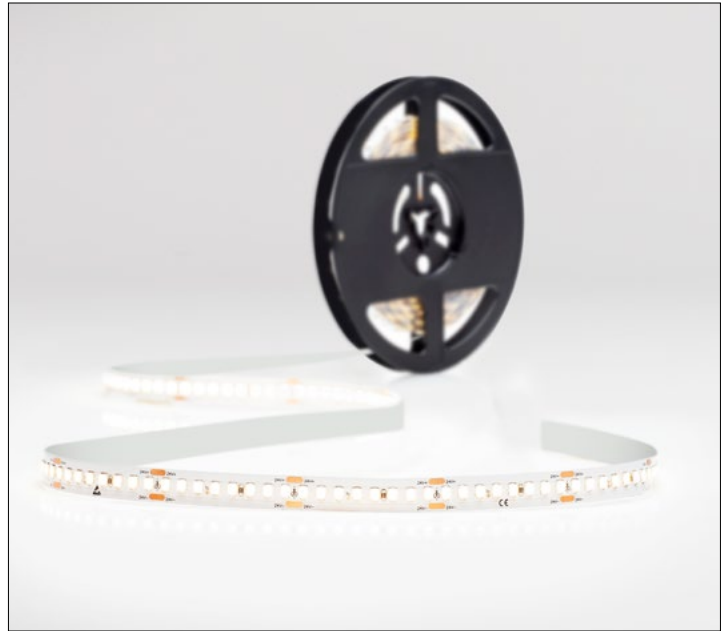
### IF-1050

- 90 CRI/2 step McAdam ellipse
- Aircraft-grade aluminum extrusion
- Premium optics to reduce diode image
- Field cuttable
- Constant voltage design for consistent brightness

Project \_\_\_\_\_

Date \_\_\_\_\_

Type \_\_\_\_\_



## SPECIFICATIONS

### SIZE

.39" x .07"

### CUTTING UNIT

8LEDs/1.64"

### INPUT VOLTAGE

24VDC

### INPUT CURRENT

.20A/FT

### TYP.POWER

4.88W/FT

### MAX.POWER

5.37W/FT

### BEND DIAMETER

2.36"

### COPPER FOIL

3oz

## ORDERING INFORMATION

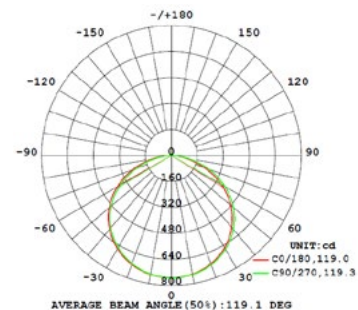
SERIES	MODEL	COLOR TEMP	PROFILE	FINISH	LENGTH	MOUNTING CLIP	DRIVER
IF INFINITO	1050	27K 30K 35K	CS1 CS2 CR1 CR2 CR3 CR4 CC1 CSA	CA Clear Aluminum  WH** White BK** Black  ** Consult Factory	48 48" Length 96 96" Length  XXX Factory cut to specified length (96" max.)	S1 Surface Mount Clip S90 90° Surface Mount Clip  C1 Corner Mount Clip	ND non dimming ZD 0-10v dimming TD Triac dimming

See Page 2/2  
for Applicable  
Options

Example: IF-1050-30K-CS2-CA-48-S1-ND

## PERFORMANCE

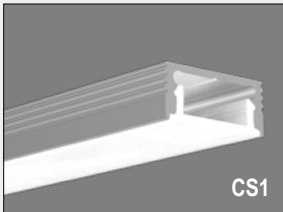
CRI	CCT	LP/F	LP/W
90	2700K	551	113
	3000K	580	119
	3500K	590	121



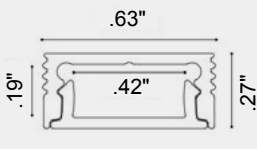
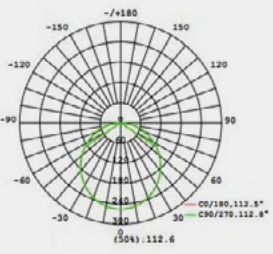
BASED ON BARE STRIP

# INFINITO LIGHTING SYSTEM – IF-1050

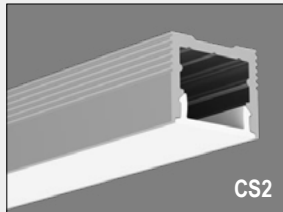
## PROFILE LIST



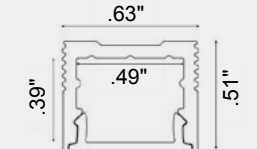
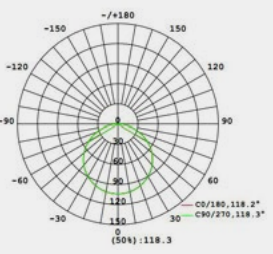
**CS1**

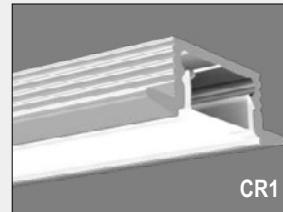
**MTG. CLIPS: S1, S2, S90**



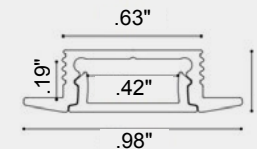
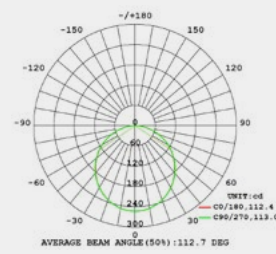
**CS2**

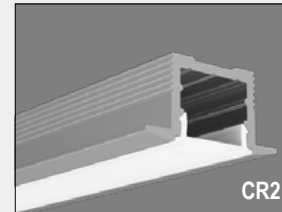
**MTG CLIPS: S1, S2, S90**



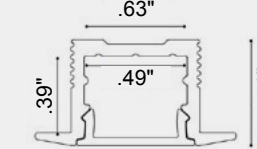
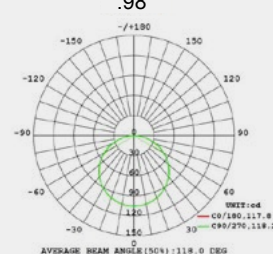
**CR1**

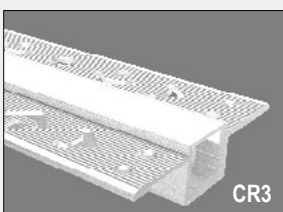
**MTG CLIPS: None**



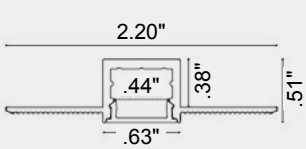
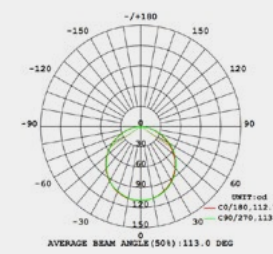
**CR2**

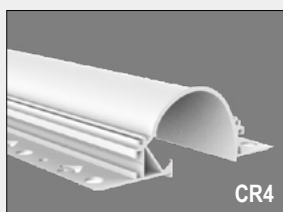
**MTG CLIPS: R1**



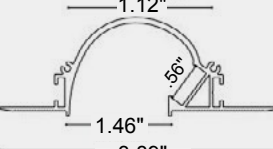
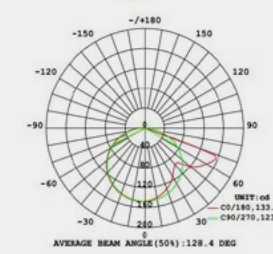
**CR3**

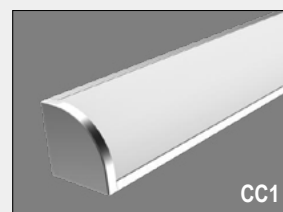
**MTG CLIPS: None**



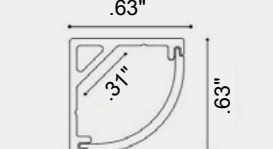
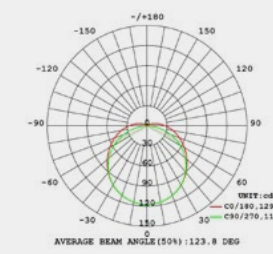
**CR4**

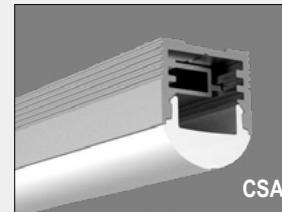
**MTG CLIPS: None**



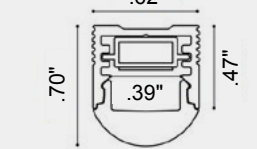
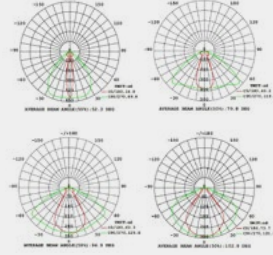
**CC1**

**MTG CLIPS: C1**



**CSA**

**MTG CLIPS: S1, S2, S90**

## MOUNTING CLIPS



# INFINITO LIGHTING SYSTEM – IF-1050

## DRIVER



### FEATURES:

- Universal AC input/Full range
- High efficiency up to 93.5%
- Protections: Short circuit / Over current / Over voltage / Over temperature
- Class 2 power unit
- Suitable for LED lighting
- 7 years warranty

DRIVER SPECIFICATION		
OUTPUT	DC VOLTAGE	24V
	RATED CURRENT	4A
	RATED POWER	96W
INPUT	VOLTAGE RANGE	90 ~ 264VAC
	FREQUENCY RANGE	47 ~ 63Hz
	AC CURRENT (TYP.)	1.2A / 115VAC / 230VAC
PROTECTION	OVER CURRENT	95 ~ 106%
	SHORT CIRCUIT	Constant current limiting, recovers automatically after fault condition is removed.
	OVER VOLTAGE	28 ~ 34V



### FEATURES:

- Output constant voltage
- ETL, Class 2, Class P, Type HL
- Universal AC input: 100-277VAC
- Power Factor: up to 0.98
- High efficiency: up to 82%
- Dimming range: 0-100%
- Load: 10-100%
- Protection: short circuit/over loading/over temperature
- PWM output, does not change the color index
- Full protection aluminum housing, for dry, damp, wet location
- Flicker-free
- Compatible with Forward phase, Reverse phase, Triac, MLV, ELV Dimmers
- Cooling by free air convection
- Suitable for LED lighting and moving sign applications

DRIVER SPECIFICATION		
OUTPUT	DC VOLTAGE	24V
	RATED CURRENT	3.33A
	RATED POWER	80W
INPUT	VOLTAGE RANGE	100-277VAC
	FREQUENCY RANGE	47 ~ 63Hz
PROTECTION	OVER LOADING	≤120% constant current limiting, auto-recovery
	SHORT CIRCUIT	Shut down o/p voltage, re-power on to recover after fault condition is removed
	OVER TEMP.	100°C ± 10°C shut down o/p voltage, automatically recover after cooling



### FEATURES:

- Constant Voltage + Constant Current mode output
- Metal housing with class I design
- Class 2 power unit
- Typical lifetime > 62000 hours
- 7 years warranty
- Dimming function (1 ~ 10VDC)

DRIVER SPECIFICATION		
OUTPUT	DC VOLTAGE	24V
	RATED CURRENT	2.5A
	RATED POWER	60W
INPUT	VOLTAGE RANGE	90 ~ 305VAC
	FREQUENCY RANGE	47 ~ 63Hz
	AC CURRENT (TYP.)	0.64A/115VAC   0.3A/277VAC
PROTECTION	OVER CURRENT	95 ~ 108%
	SHORT CIRCUIT	Hiccup mode, recovers automatically after fault condition is removed.
	OVER VOLTAGE	28 ~ 35V
	OVER TEMP.	Shut down o/p voltage, re-powered to recover