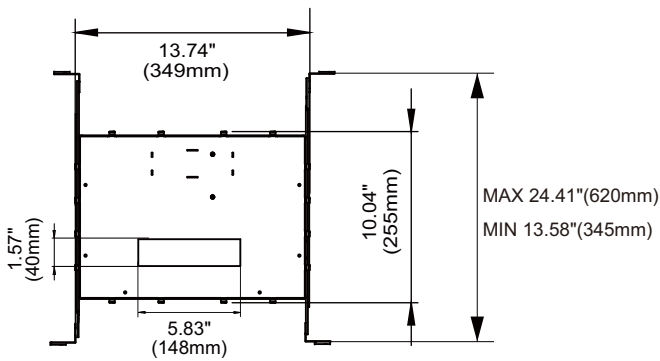


INSTALLATION INSTRUCTION



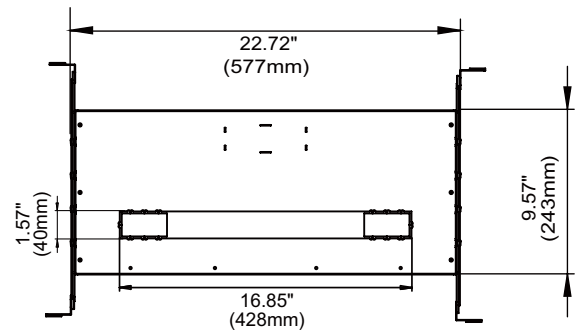
- 1.The fixture is for LED.
- 2.Before installation, make sure that the power supply is off.
- 3.Follow the steps as down below for installation or replacement of bulb.
- 4.After finishing every step, tighten the screws, have the fixture fixed, then connect the power supply.
- 5.It is recommended that these products are installed by a qualified electrician.

ACCG-25-40X148



Only For Wallwash (2114.418A)

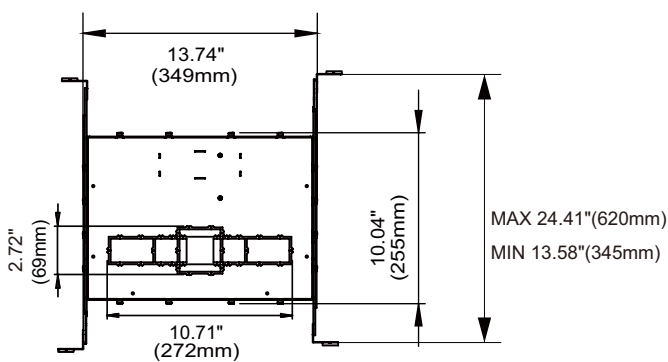
ACCH-1-40X428



Only For Wallwash (2114.418B/2114.418C)

knock out the necessary pieces based on the cutout of the fixture

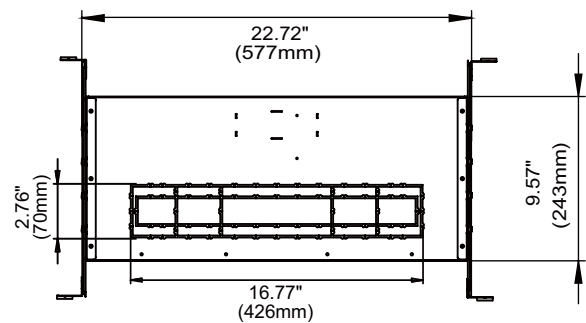
ACCG-25-69X272



Only For Trim Fixed (1814.400-1/1814.400-2/1814.413-4/
2114.408-5/2114.412-5/2114.408-10/2114.412-10)
Trim Wallwash (2114.410-5/2114.413-5/2114.410-10/2114.413-10)

knock out the necessary pieces based on the cutout of the fixture

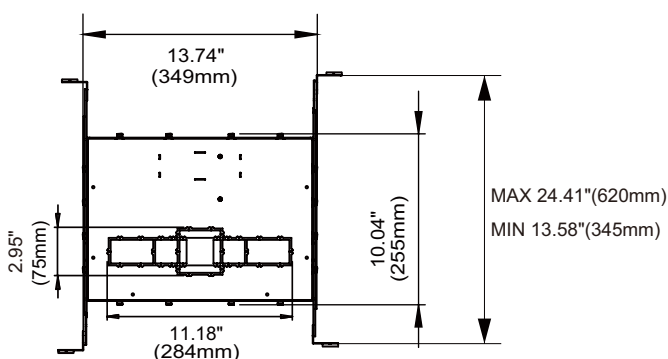
ACCH-1-70X426



Only For Trim Fixed (2114.408-15/2114.412-15),
Trim Adjustable (1814.401-5/1814.401-10/1814.401-15),
Trim Wallwash (2114.410-15/2114.413-15)

knock out the necessary pieces based on the cutout of the fixture

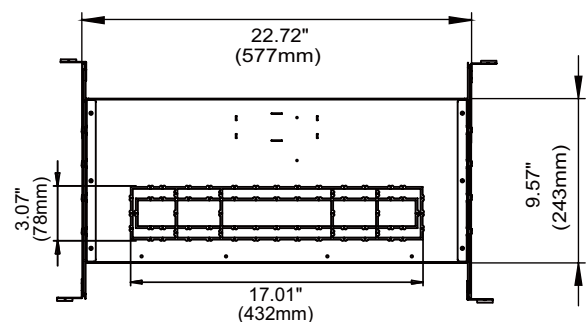
ACCG-25-75X284



Only For Trimless Fixed (1814.402-1/1814.402-2/1814.402-4 /2114.409-5/2114.409-10)
Trimless Wallwash (2114.411-5/2114.411-10)

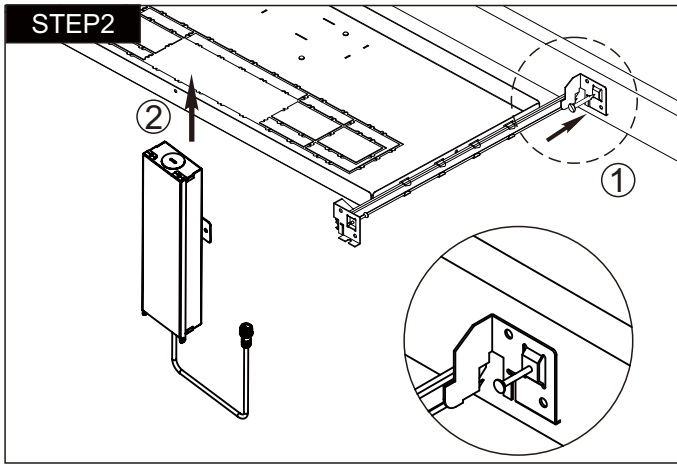
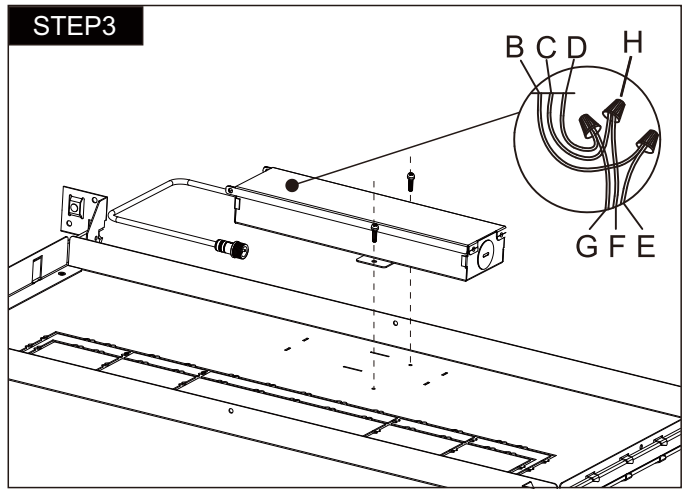
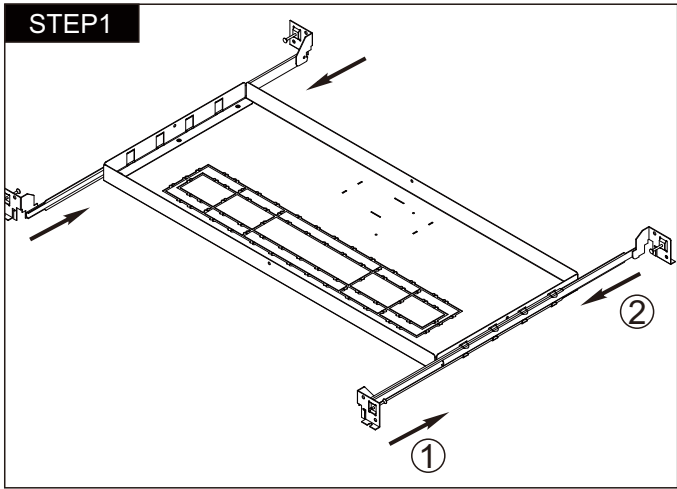
knock out the necessary pieces based on the cutout of the fixture

ACCH-1-78X432

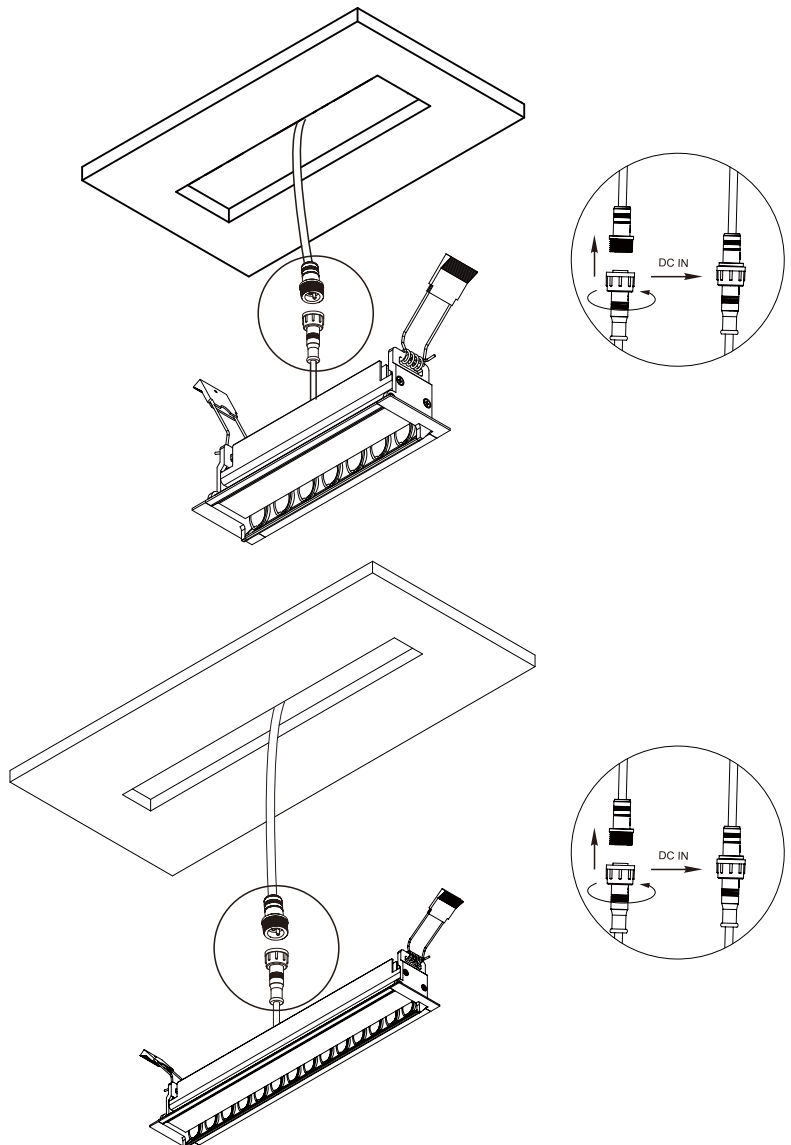
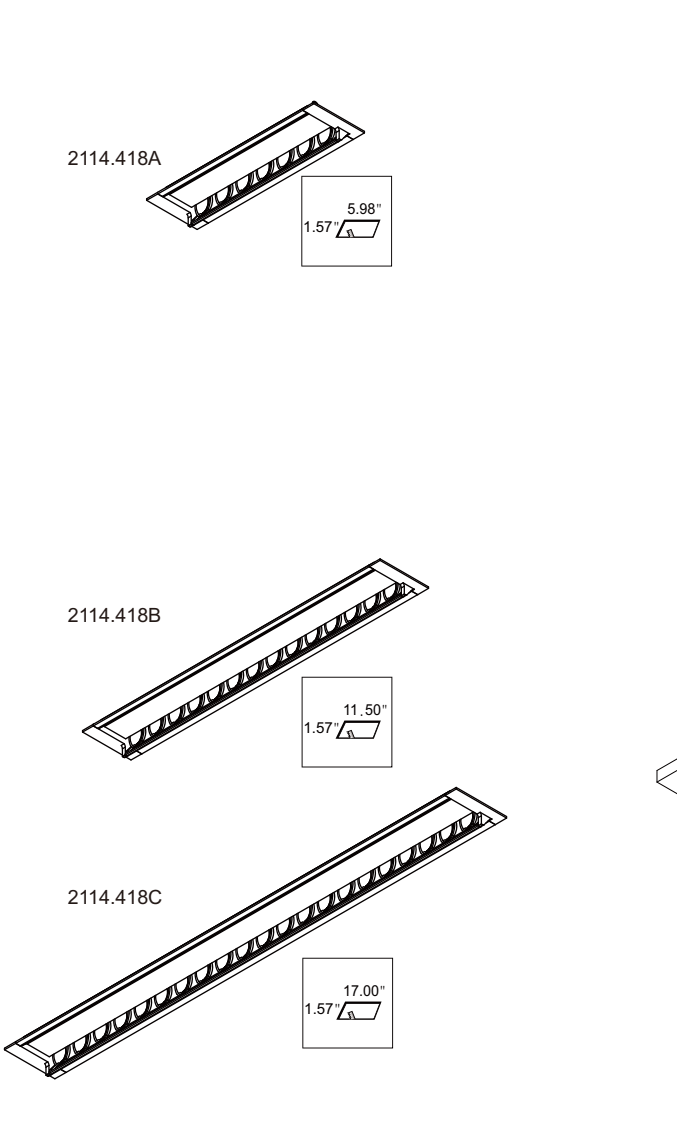


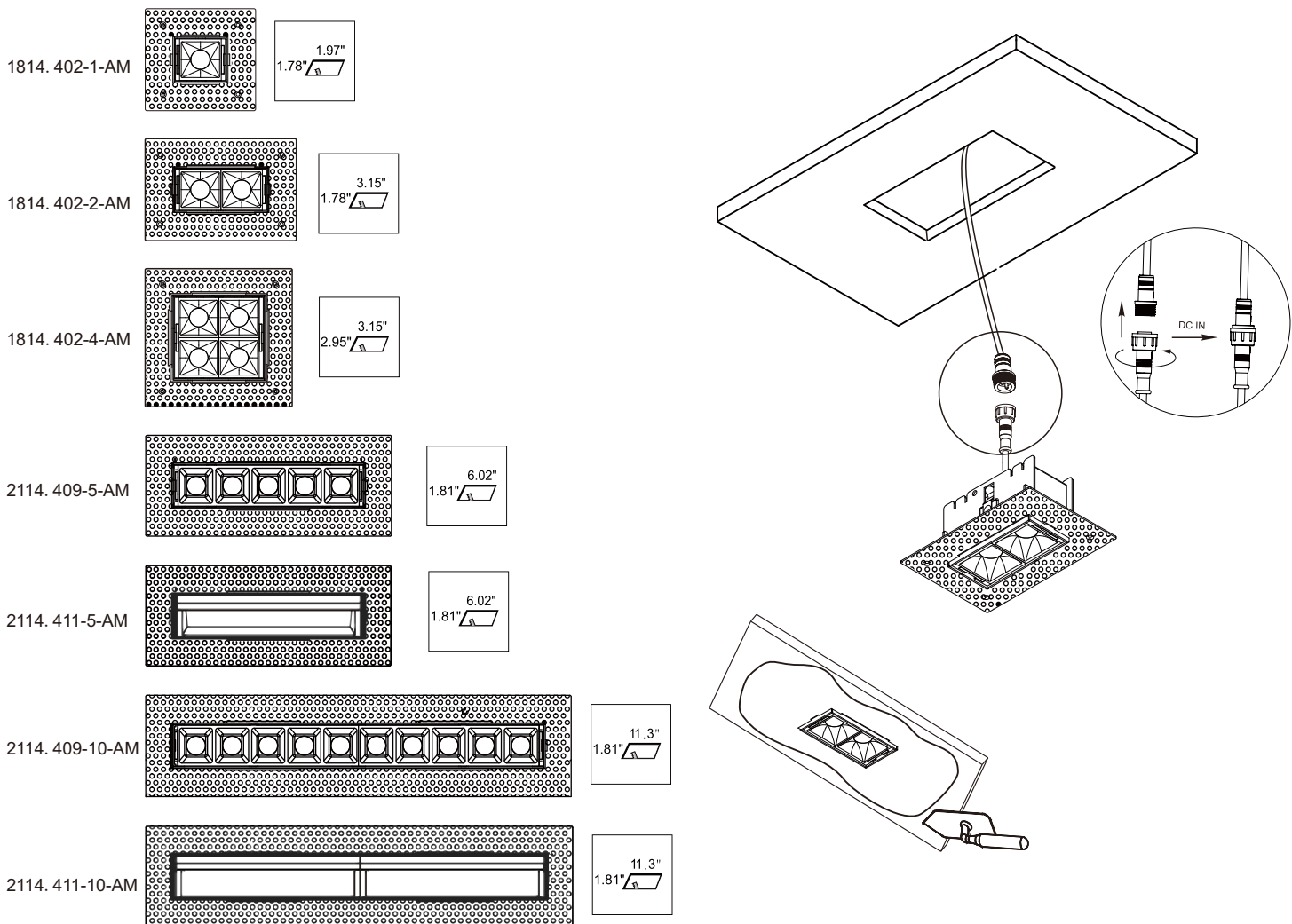
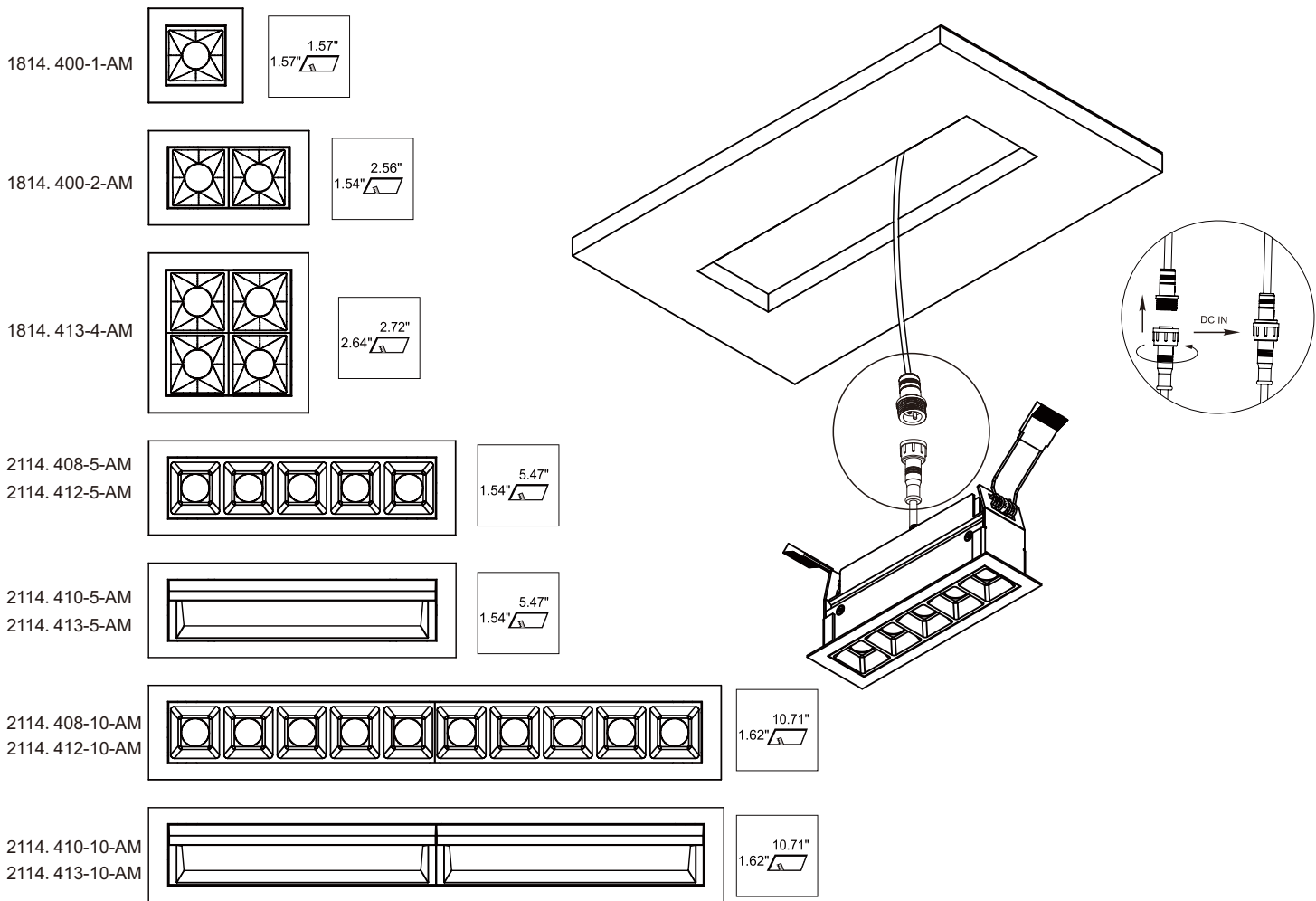
Only For Trimless Fixed (2114.409-15),
Trimless Adjustable (1914.429-5/1914.429-10/1914.429-15),
Trimless Wallwash (2114.411-15)

knock out the necessary pieces based on the cutout of the fixture

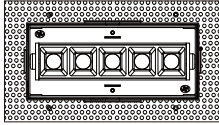


- B**-Black wire(L) from junction box
- C**-White wire(N) from junction box
- D**-Green wire/Bare copper (G) from junction box
- E**-Black wire (L) from fixture
- F**-White wire (N) from fixture
- G**-Green wire/Bare copper from fixture
- H**-Wire connector x 3

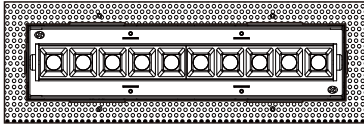




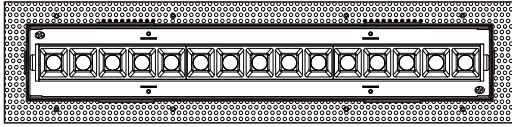
1914. 429-5-AM



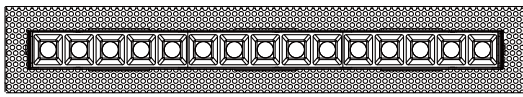
1914. 429-10-AM



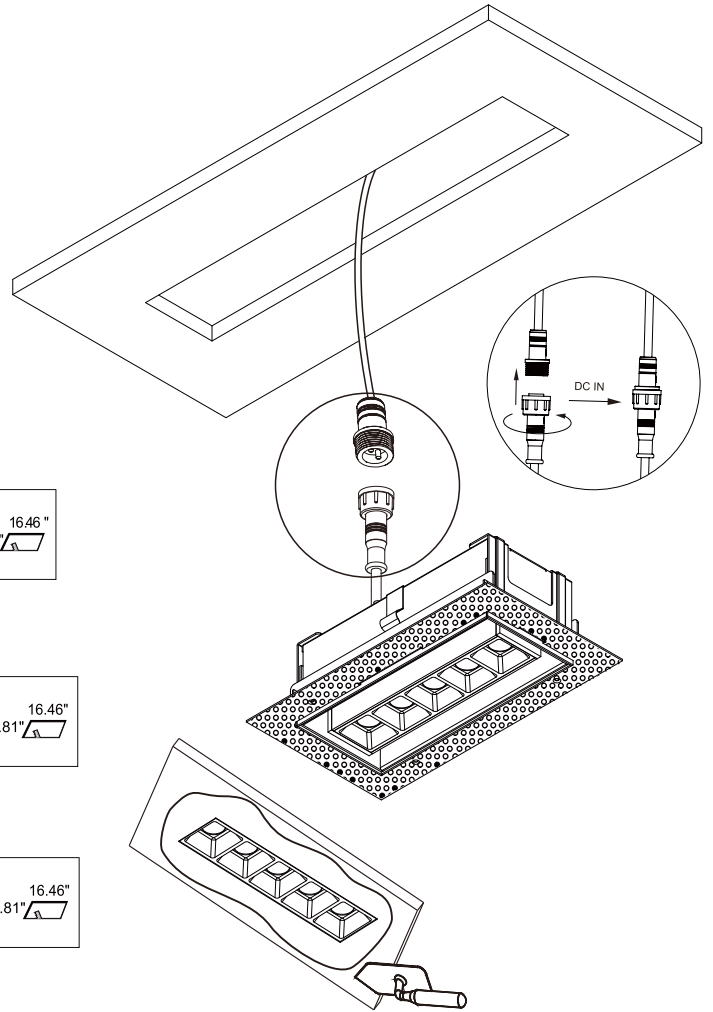
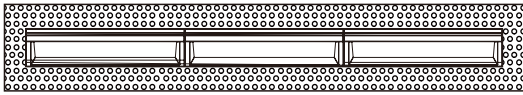
1914. 429-15-AM



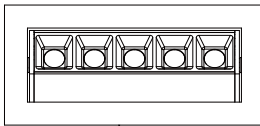
2114. 409-15-AM



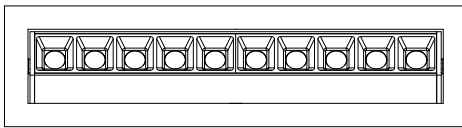
2114. 411-15-AM



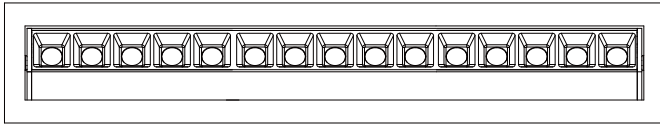
1814. 401-5-AM



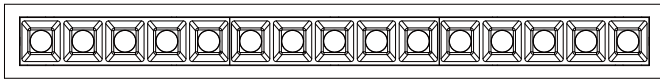
1814. 401-10-AM



1814. 401-15-AM

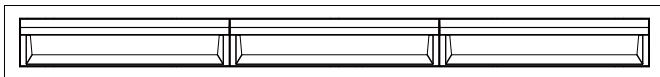


2114. 408-15-AM



2114. 412-15-AM

2114. 410-15-AM



2114. 413-15-AM

