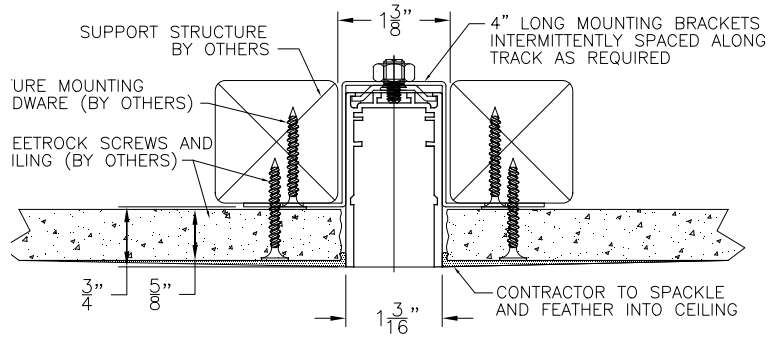


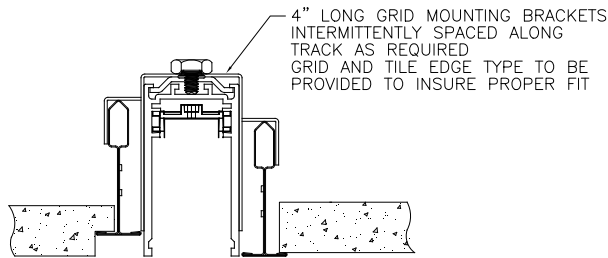
## Recessed Channel System

### MODEL

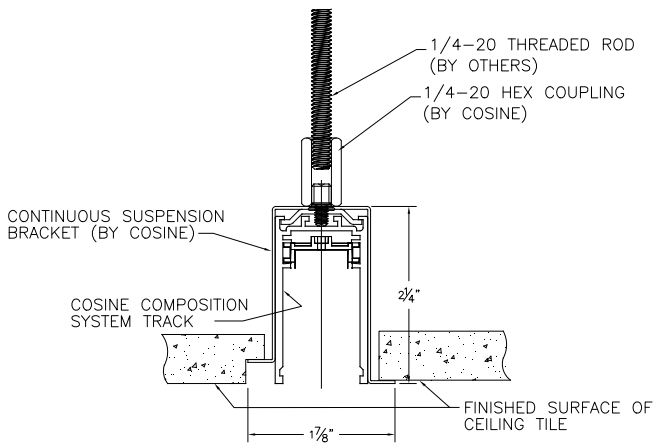
COCO-AT-600R



Recessed mud-in installation



Recessed Channel in ACT with grid along sides 9/16" suprafine grid 9/16" interlude or slot grid(Left side)



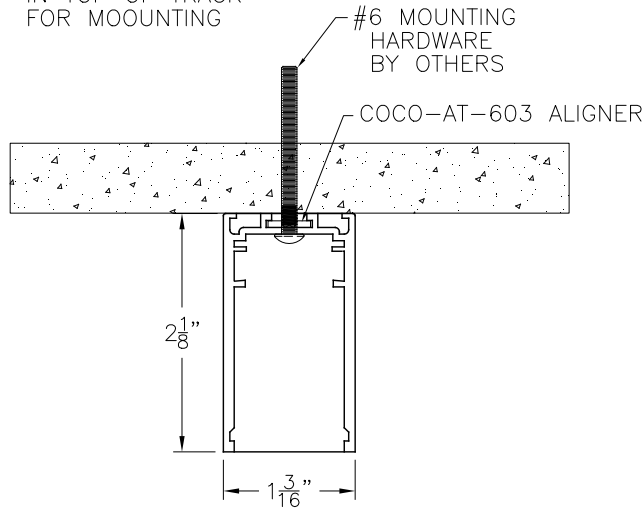
Recessed Channel in ACT within tile field

## Surface Mounted Channel System

MODEL

COCO-AT-600S

NOTE: KEYSLOTS PROVIDED IN TOP OF TRACK FOR MOUNTING

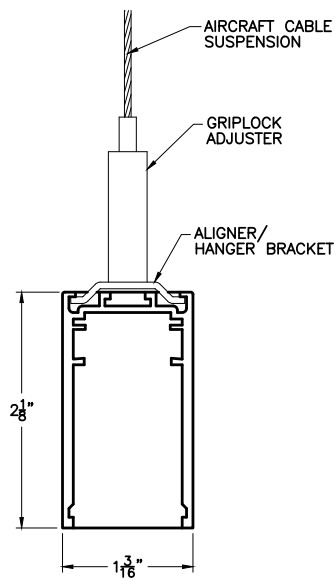


SURFACE MOUNT TO CEILING  
#6 HARDWARE BY CONTRACTOR  
TO SUIT JOB CONDITIONS

## Suspended Channel System

MODEL

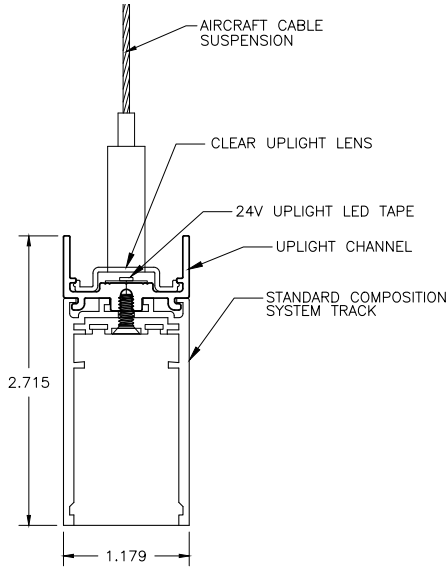
COCO-AT-600S



## Suspended Channel System with Uplight

MODEL

COCO-AT-600S



## Uplight Options

\*Compatible uplight LED tape refer to Cosine's website- <https://cosineltg.com/tape-light/>



IF-814

Up to 170 LPF, 8 LEDs per 4.92" cut point



IF-827

Up to 337 LPF, 8 LEDs per 2.46" cut point

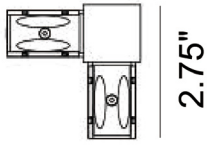


IF-841

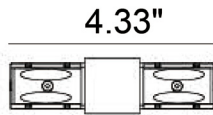
Up to 491 LPF, 8 LEDs per 1.97" cut point

MODEL

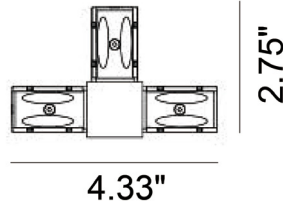
COCO-AT-609-00



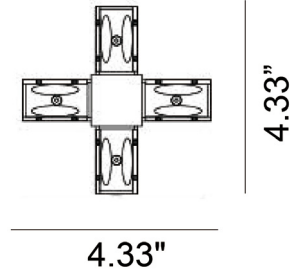
COCO-AT-609-01



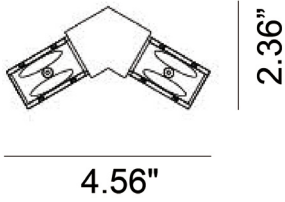
COCO-AT-609-02



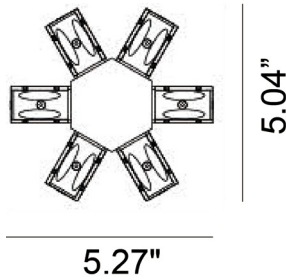
COCO-AT-609-03



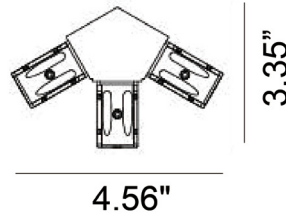
COCO-AT-609-04



COCO-AT-609-05



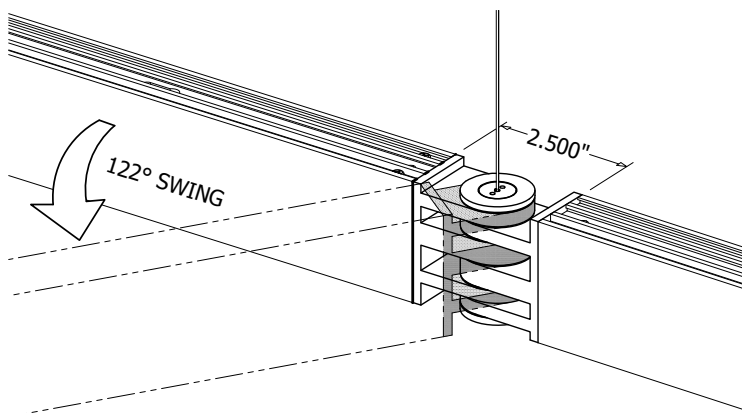
COCO-AT-609-08



*\*For surface mounted & suspended track system only*

MODEL

COCO-AT-618



*\*For suspended track system only*