

Project: **REMOTE DRIVER BOX**
COMPOSITION SYSTEM

Distributor:		Type:	
By: DJL	Date: 10/15/19	Scale: NONE	
Dwg. no.:		Rev.	Size: B
SHEET 1 OF 1			

CATALOG NO:
RPS-XX-42VDC-U

SPECIFICATIONS

MOUNTING -

SURFACE WALL OR CEILING MOUNT IN ACCESSIBLE LOCATION

SIZE -

NOMINAL 3 1/4" W x 16" L x 2" HIGH

INPUT VOLTAGE-

120 OR 277 VOLT A.C. HARD WIRED TO BUILDING SUPPLY

OUTPUT POWER-

42 VOLT, 1-10V DIMMABLE 60 WATT OR 96 WATT MAX. LOAD, PROVIDED WITH 18FT OF WHITE 18/2 PLENUM RATED WIRE

CONSTRUCTION-

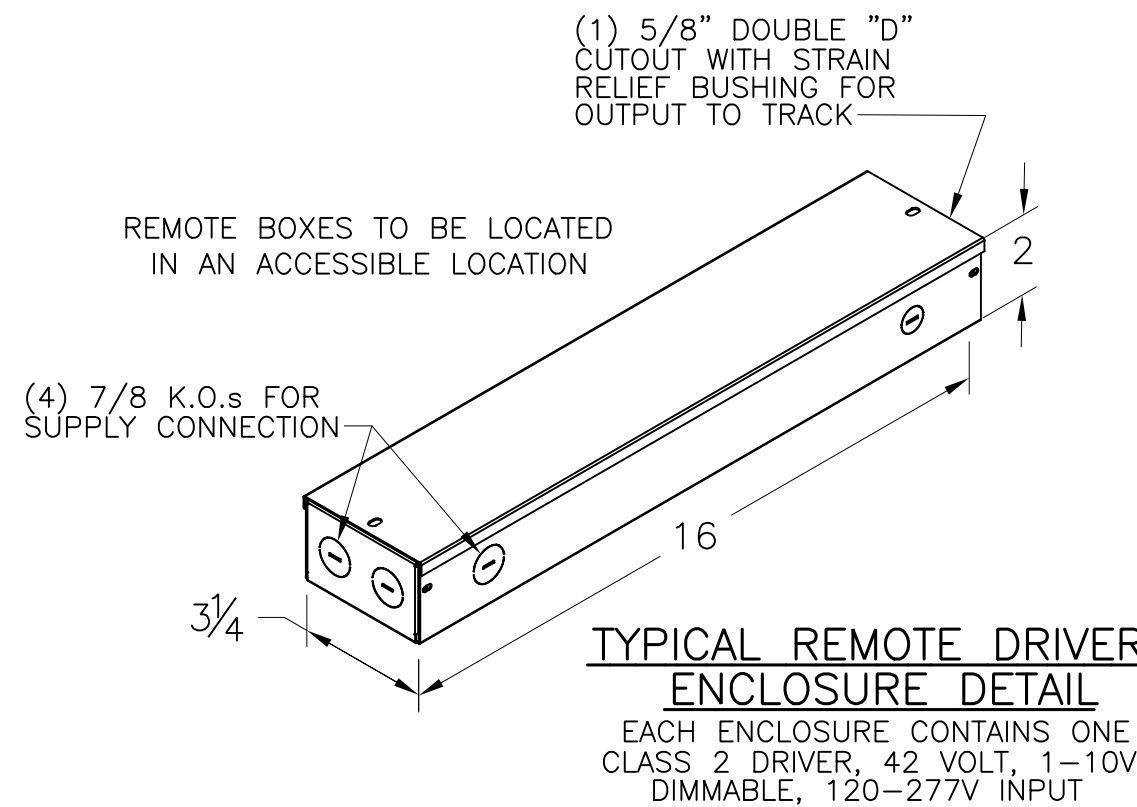
REMOTE BOX AND COVER TO BE 20 GA. FORMED C.R.S., RIVETED CONSTRUCTION.

FINISH-

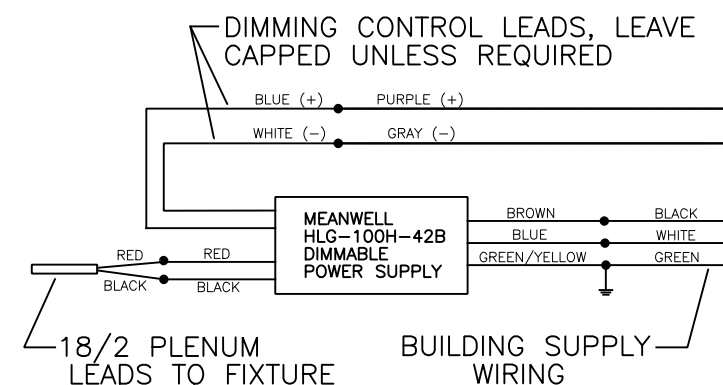
BOX AND COVER TO BE BAKED WHITE ENAMEL, STANDARD. CONSULT FACTORY FOR OTHER COLOR REQUIREMENTS.

CERTIFICATION-

ETL LISTED FOR DRY LOCATIONS



DIMMABLE POWER SUPPLY WIRING DIAGRAM
42 VOLT OUTPUT, 1-10V DIMMING



NOTE: QUANTITY AND MAX WATTAGE OF POWER SUPPLIES TO BE DETERMINED BY JOB REQUIREMENTS. POWER SUPPLIES TO BE PROVIDED AS 60 WATT OR 96 WATT MAX., UNIVERSAL INPUT VOLTAGE.

This document contains confidential and proprietary information and cannot be reproduced or divulged, in whole or part, without written authorization from Cosine Lighting.

Rev.	Description	Date	By